

NOTES:

- 1) DEVELOPER SHALL INSTALL AN APPROVED REDUCED PRESSURE PRINCIPLE ASSEMBLY.
- 2) ASSEMBLY MUST BE ACCESSIBLE FOR TESTING AND MAINTENANCE.
- 3) ALL NEWLY INSTALLED ASSEMBLIES MUST BE TESTED IN ACCORDANCE WITH LOCAL ORDINANCE BEFORE THEY ARE PUT INTO SERVICE.

SOUTHERN CALIFORNIA WATER COMPANY

DRAWN BY: JEFF BERG DATE: 8/96

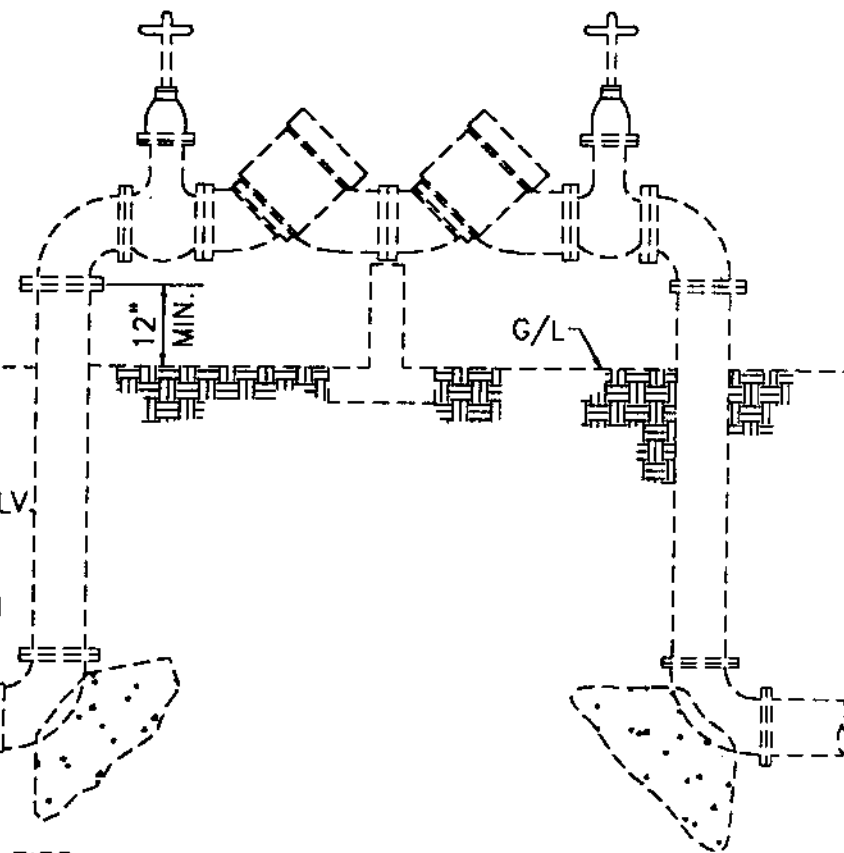
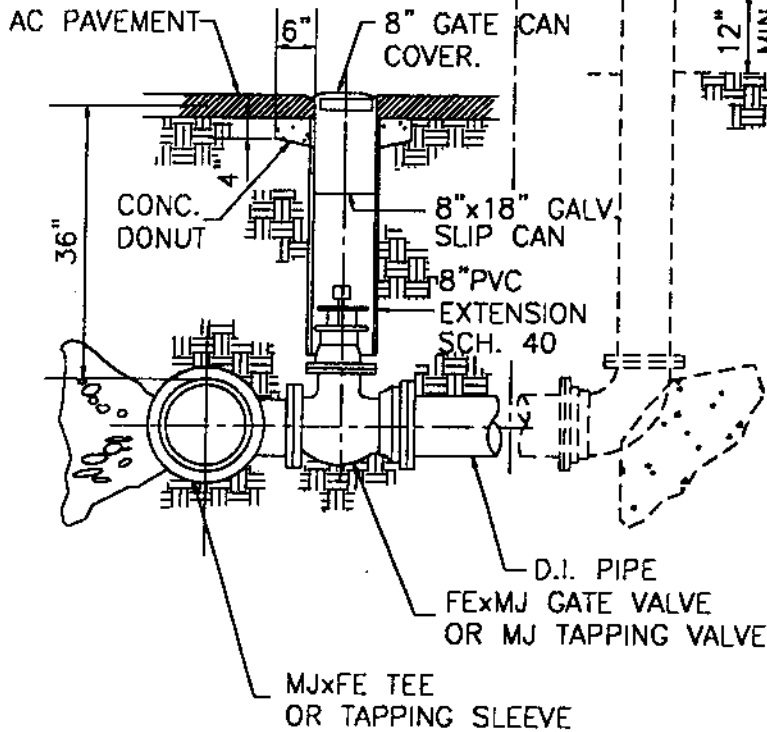
REVISED:

REDUCED PRESSURE PRINCIPLE ASSEMBLY

STANDARD DRAWING NO. 6.5

INSTALL AND OWNED
BY DEVELOPER.

OWNED
BY S.C.W.C.



NOTES:

- 1) DEVELOPER SHALL INSTALL AN APPROVED REDUCED PRESSURE PRINCIPLE ASSEMBLY.
- 2) ASSEMBLY MUST BE ACCESSIBLE FOR TESTING AND MAINTENANCE.
- 3) ALL NEWLY INSTALLED ASSEMBLIES MUST BE TESTED IN ACCORDANCE WITH LOCAL ORDINANCE BEFORE THEY ARE PUT INTO SERVICE.

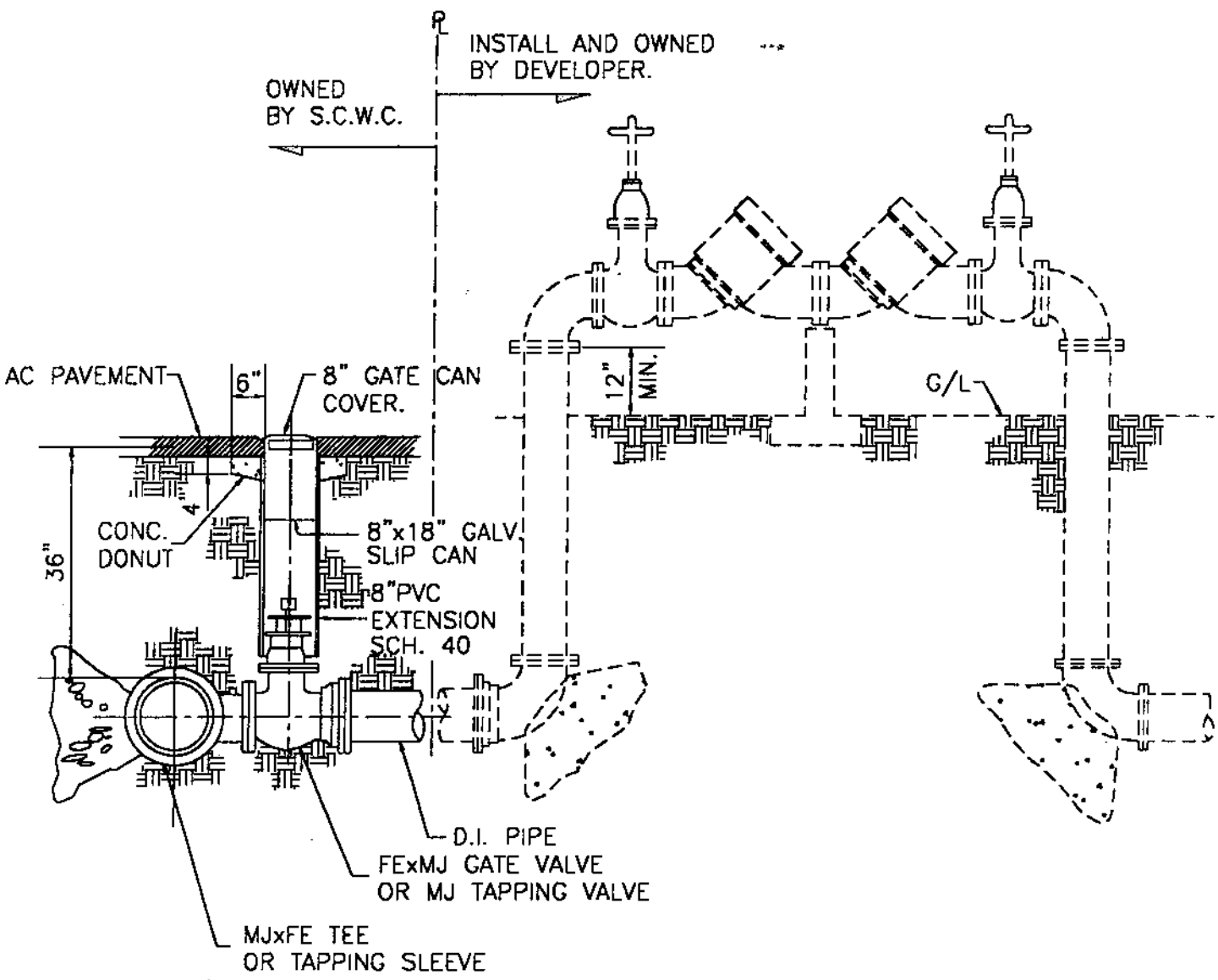
SOUTHERN CALIFORNIA WATER COMPANY

DRAWN BY: JEFF BERG DATE: 8/96

REVISED: _____

REDUCED PRESSURE
PRINCIPLE ASSEMBLY

STANDARD DRAWING NO. 6.5



NOTES:

- 1) DEVELOPER SHALL INSTALL AN APPROVED REDUCED PRESSURE PRINCIPLE ASSEMBLY.
- 2) ASSEMBLY MUST BE ACCESSIBLE FOR TESTING AND MAINTENANCE.
- 3) ALL NEWLY INSTALLED ASSEMBLIES MUST BE TESTED IN ACCORDANCE WITH LOCAL ORDINANCE BEFORE THEY ARE PUT INTO SERVICE.

SOUTHERN CALIFORNIA WATER COMPANY

DRAWN BY: JEFF BERG DATE: 8/96

REVISED: _____

REDUCED PRESSURE PRINCIPLE ASSEMBLY

STANDARD DRAWING NO. 6.5